


# PRODUCT SHEET

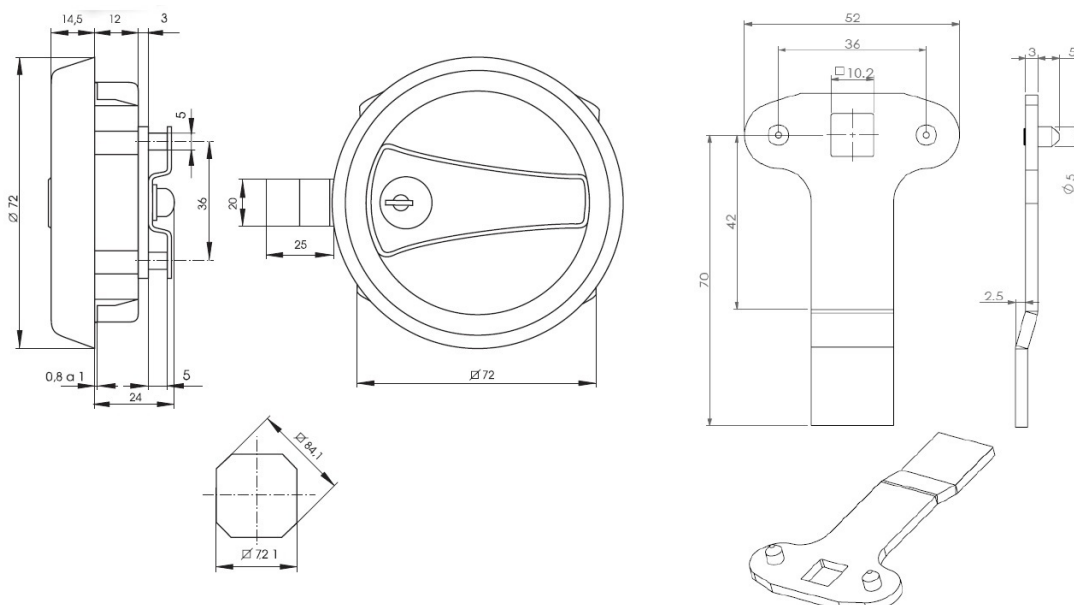
## Description:

Locker Handle 8813, Alu/Black, CK SISO, KA D20, F/Metal Cab- inets, All Steel Parts Incl. Cylinder Front Alu Finish,, Plastic Parts Black, Cam Premounted 3 O'Clock, 90 DG Turn,, Cam No. H07

## Item number:

14.08.021-1

Units	Box	Carton	HS Code	Barcode
Pcs.	5	100	8301300000	
				5704866044790



## SISO A/S

Mileparken 11  
DK-2740 Skovlunde  
Denmark  
VAT: DK 24786013

Phone +45 45 830 900

[www.siso.dk](http://www.siso.dk)  
[siso@siso.dk](mailto:siso@siso.dk)

Danske Bank  
Nytorv Branch  
Copenhagen  
SWIFT: DABADKKK

Account no.  
4180 3112 112936  
IBAN Account  
DK7230003112112936